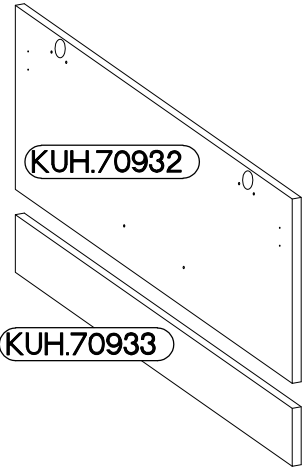
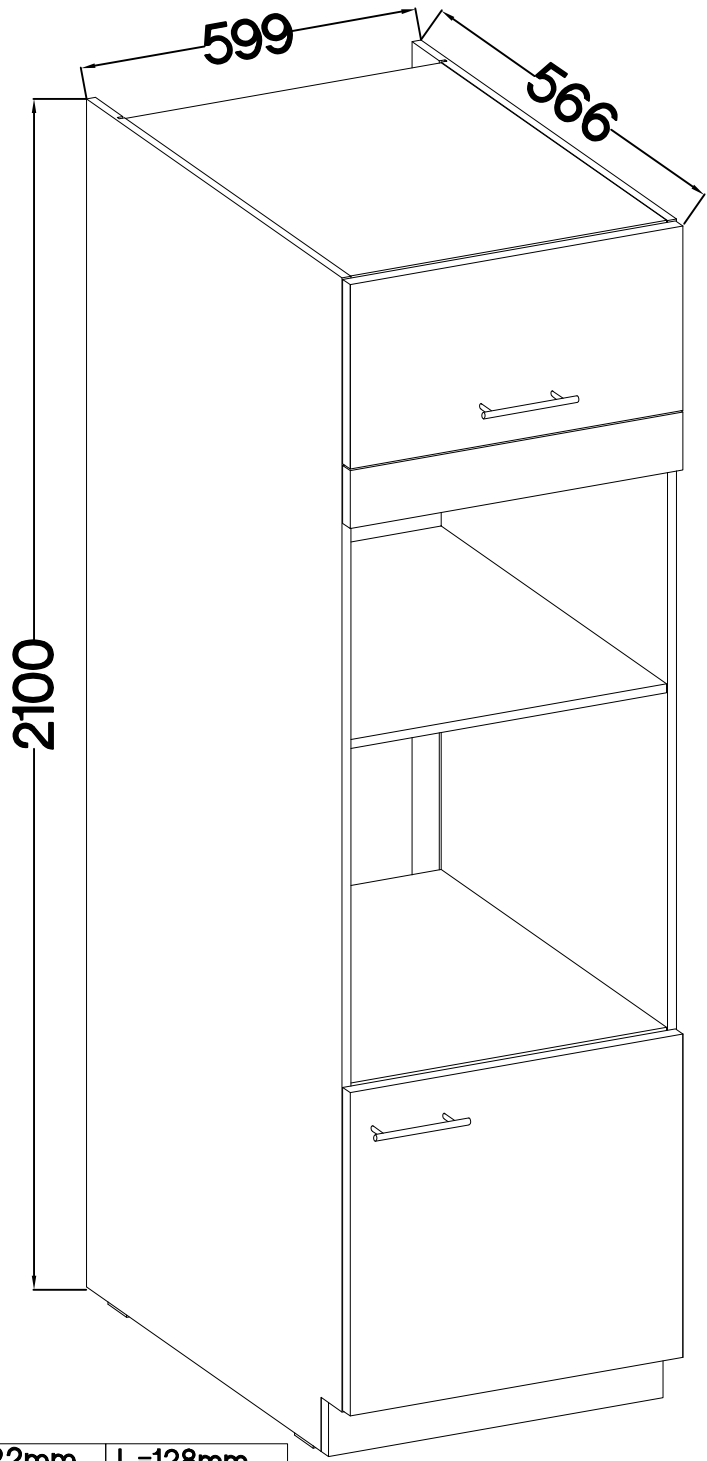
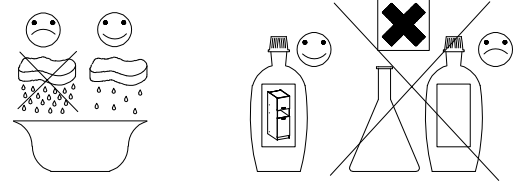
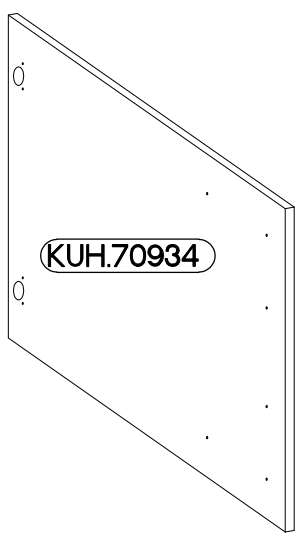


60 DPM-2100 2F
FRONT

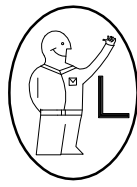


Ersatzteil Nummer	Dimension
KUH.70932	596x325x16
KUH.70933	596x102x16
KUH.70934	596x570x16



M4x22mm	L=128mm
U	S
4	2

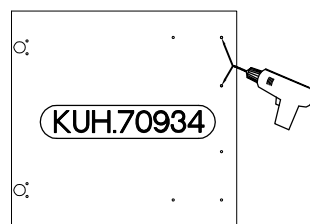
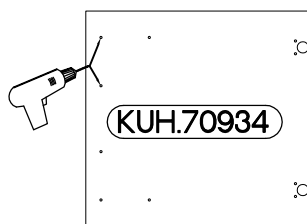
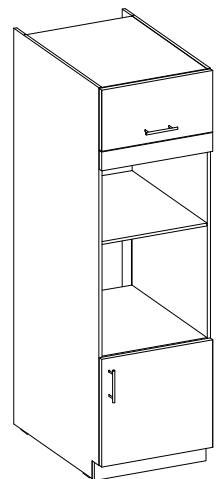
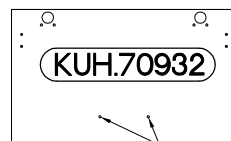
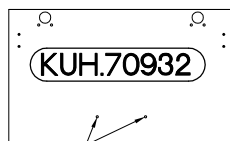
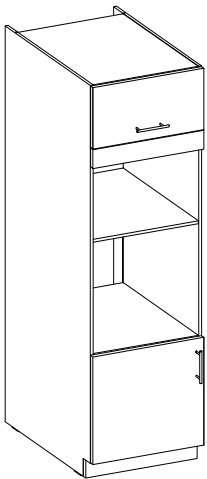
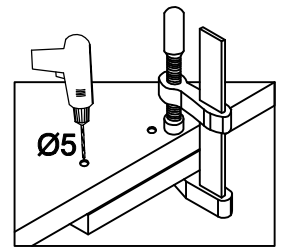
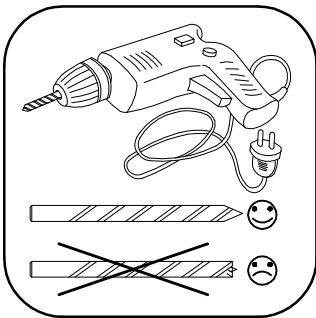
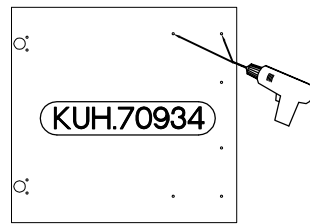
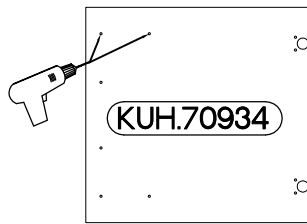
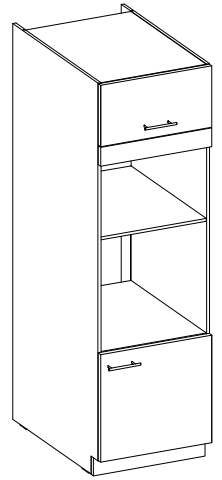
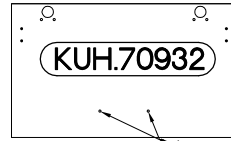
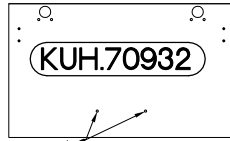
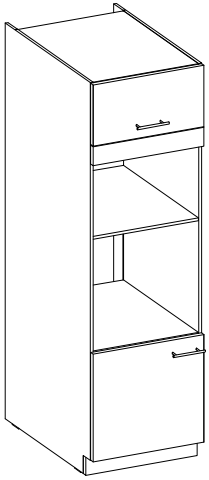
ISM-KUH-01643



LEFT

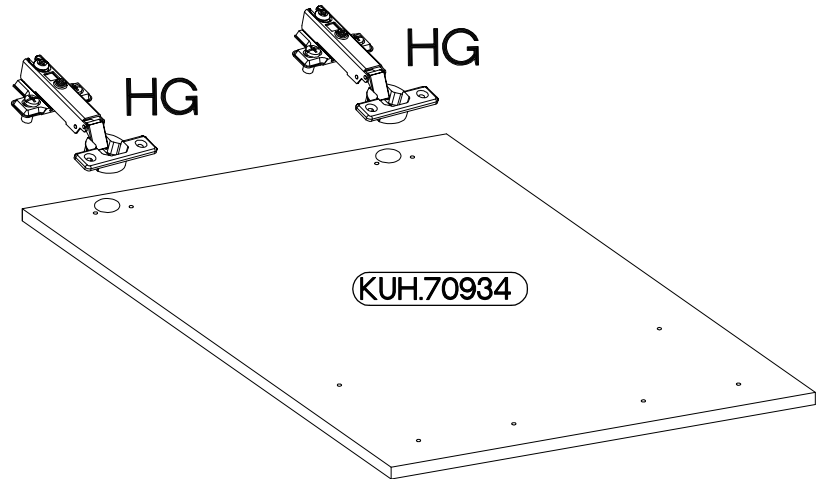
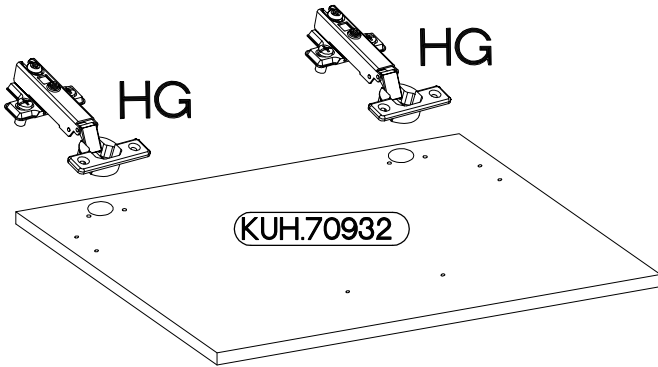
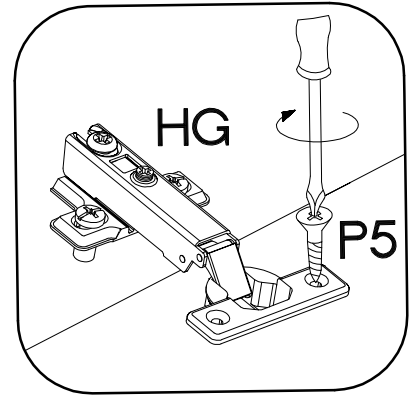


RIGHT



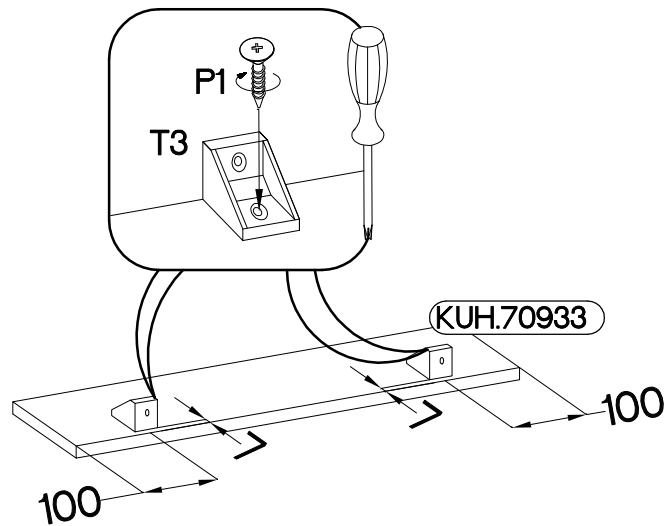
2

±35/0mm [CD] HG 4	±3.5x13mm P5 8
----------------------------	----------------------




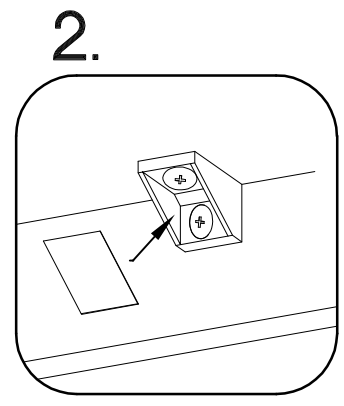
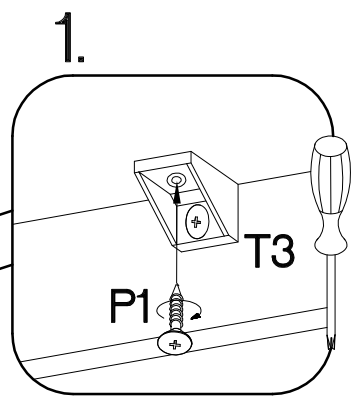
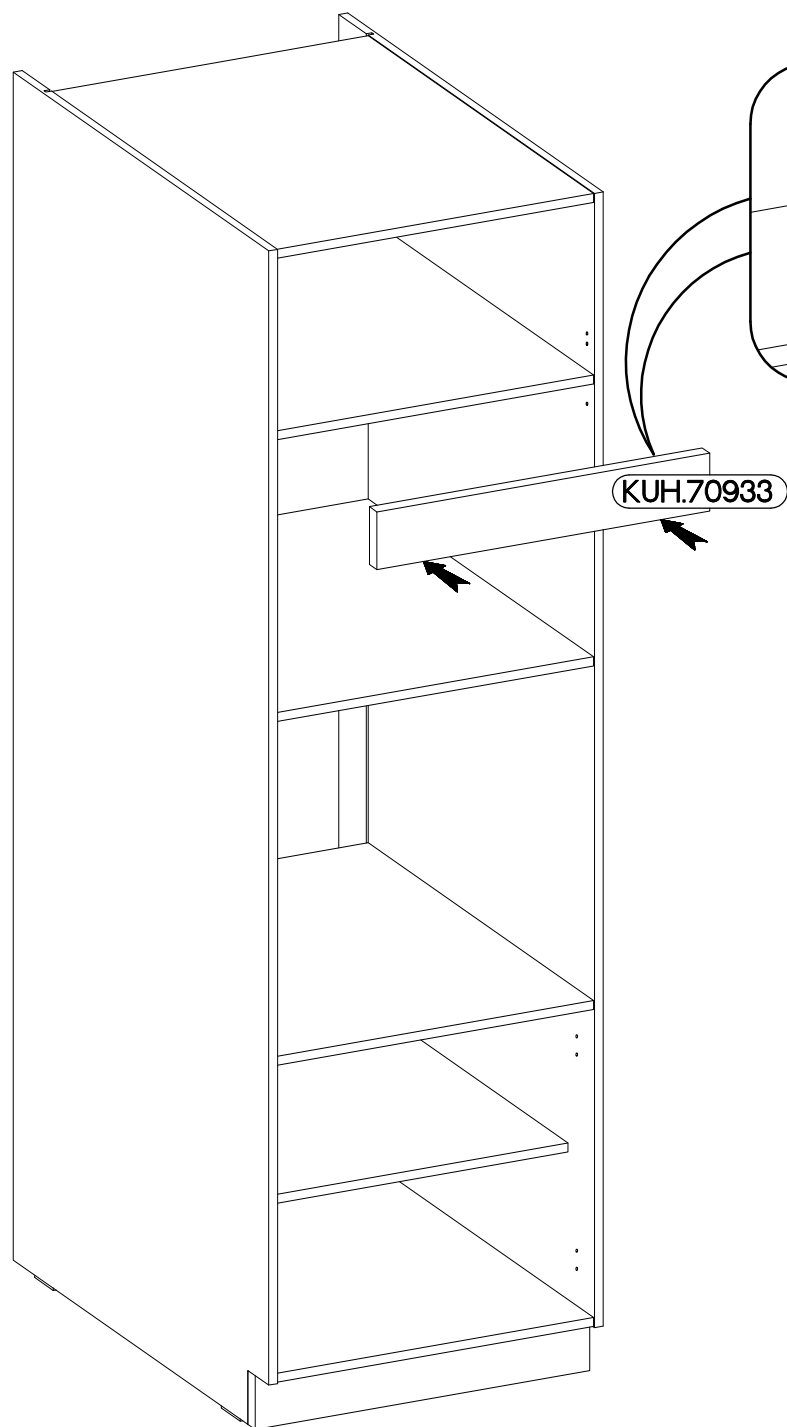
3

T3 2	±4.0x16mm P1 2
---------	----------------------



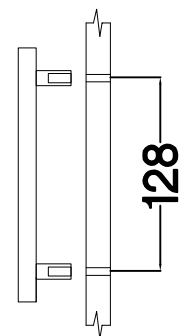
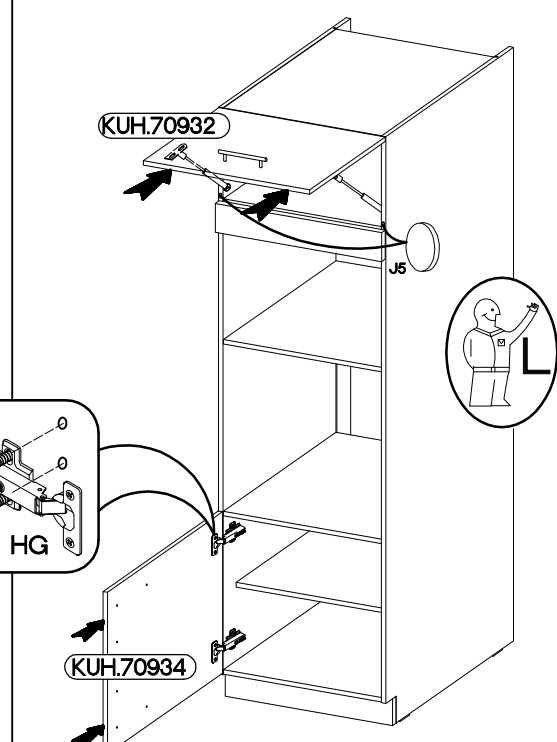
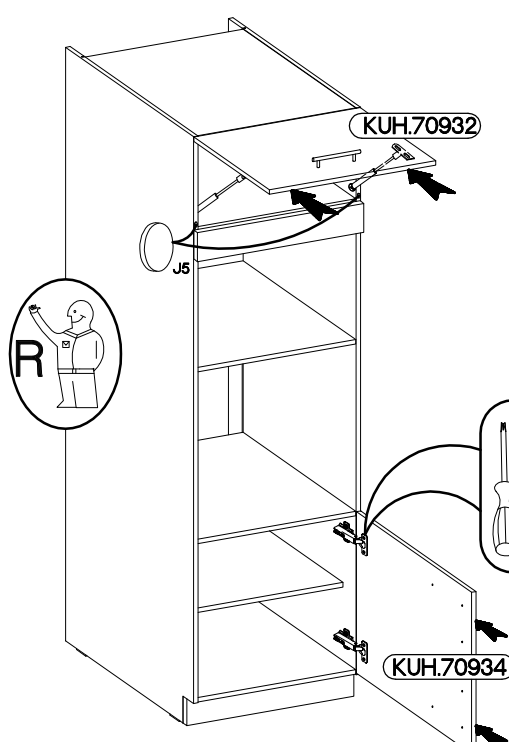
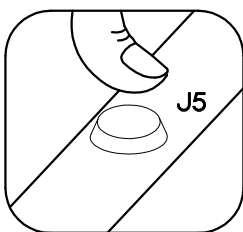
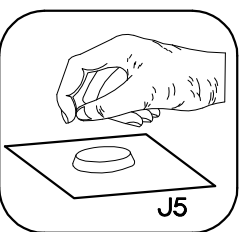
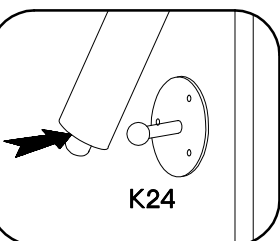
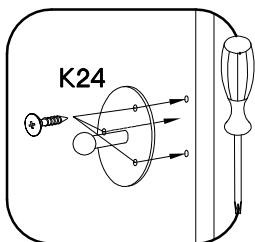
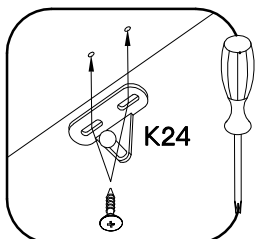
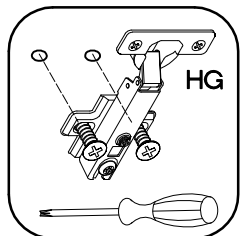
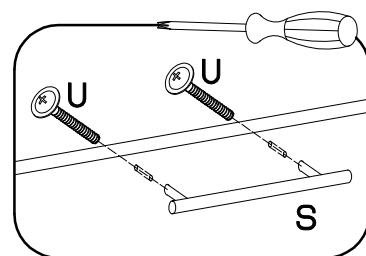
4

4.0x16mm
 P1
2



5

M4x22mm U 4	L=128mm S 2	K24 2	J5 2
-------------------	-------------------	----------	---------



VARIANT HIGH GLOSS

